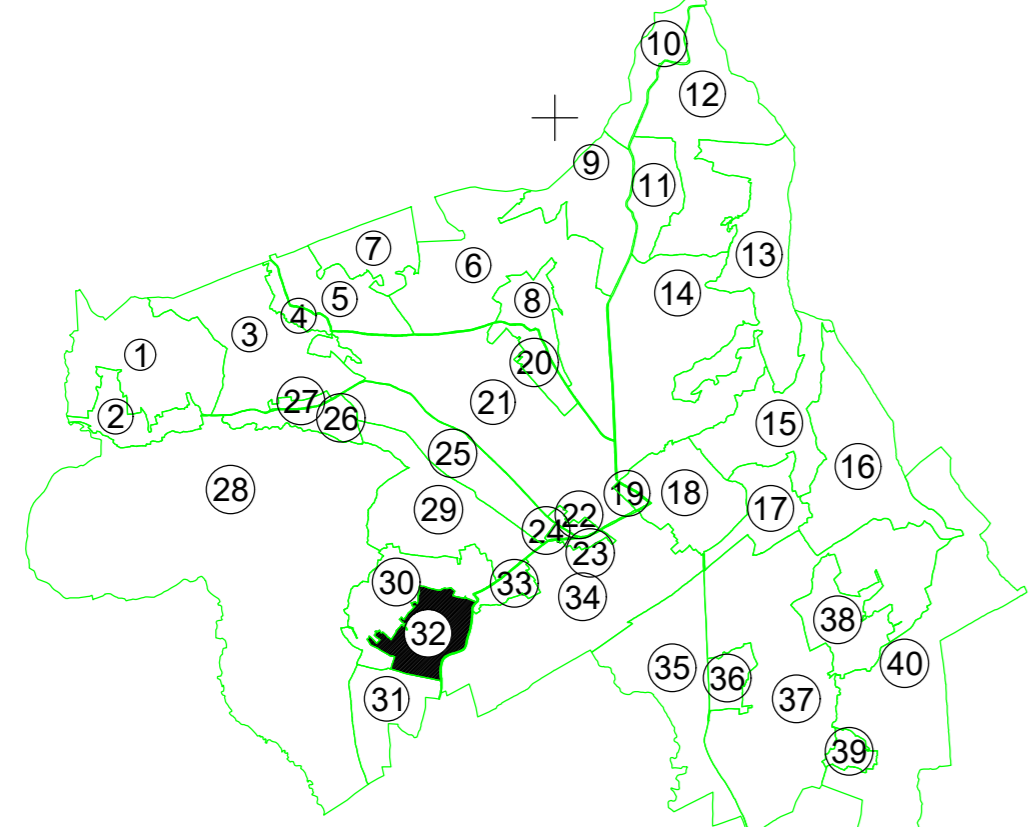
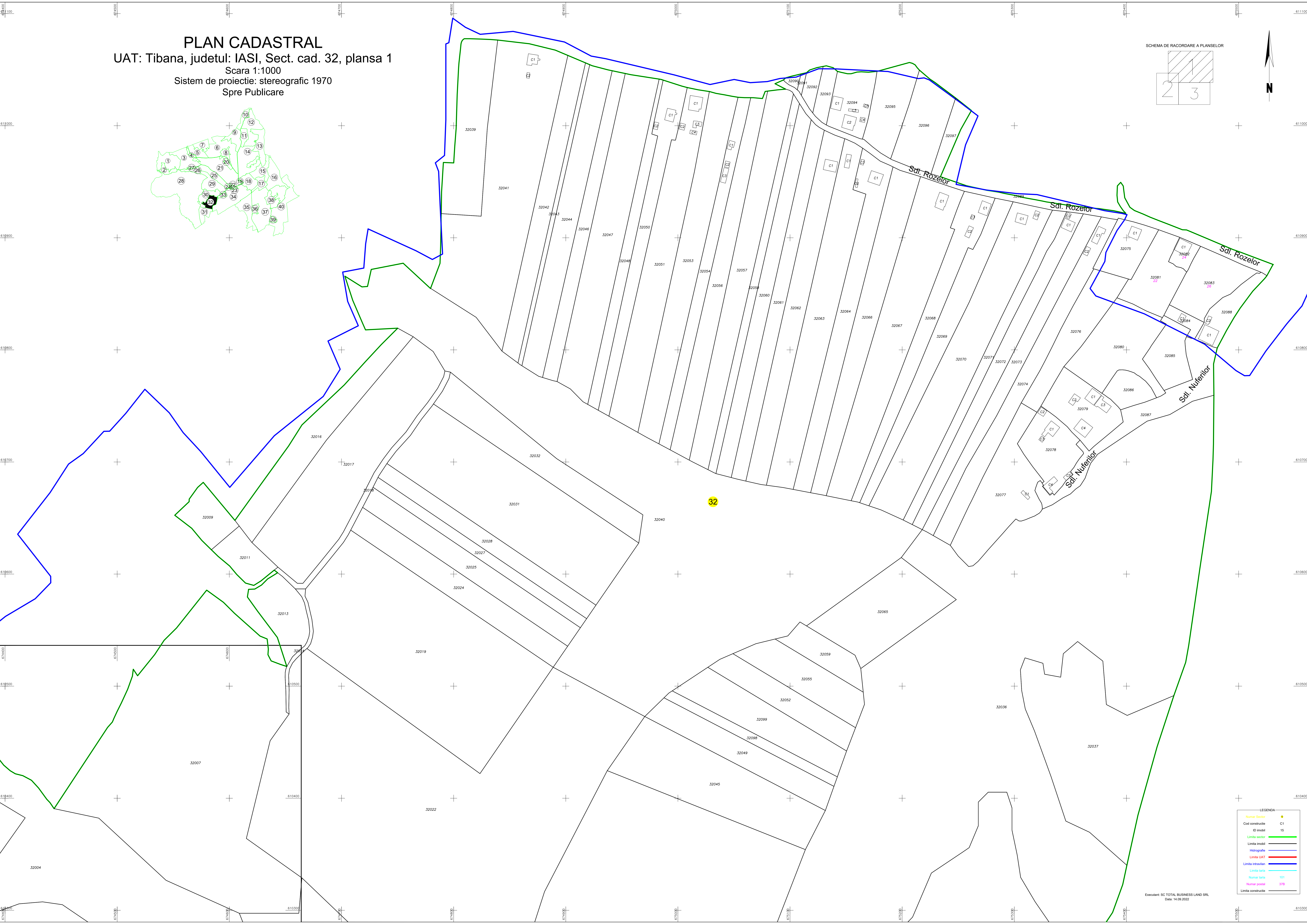
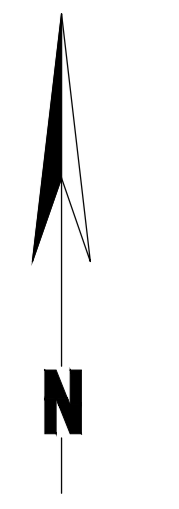
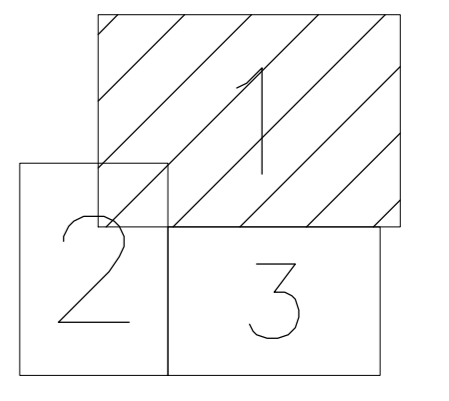


PLAN CADASTRAL
UAT: Tibana, judetul: IASI, Sect. cad. 32, plansa 1
Scara 1:1000
Sistem de proiectie: stereografic 1970
Spre Publicare



SCHEMA DE RACORDARE A PLANSELOR



LEGENDA

Numar Sector	32
Cod constructie	C1
ID imobil	15
Limita sector	— (green line)
Limita imobil	— (black line)
Hidografie	— (blue line)
Limita UAT	— (red line)
Limita intravilan	— (blue line)
Limita taru	— (cyan line)
Numar taru	101
Numar parcel	278
Limita constructie	— (black line)