

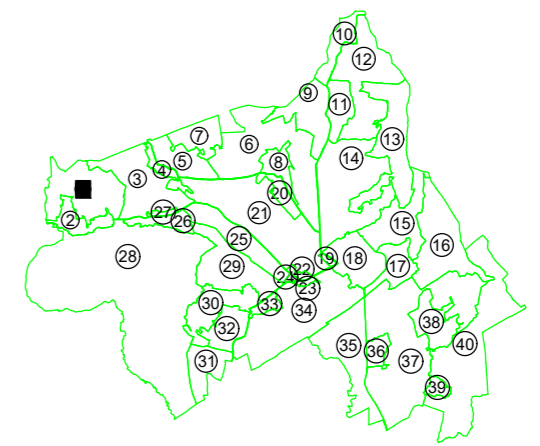
PLAN CADASTRAL

UAT: Tibana, judetul: IASI, Sect. cad. 3, plansa 3

Scara 1:2000

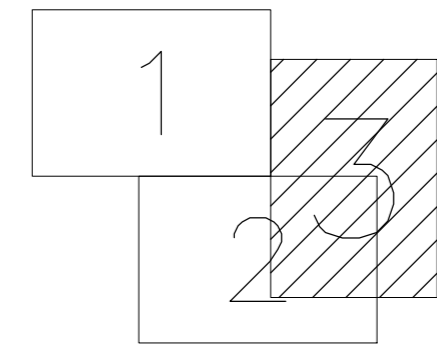
Sistem de proiectie: stereografic 1970

Spre Publicare



Runcu

SCHEMA DE RACORDARE A PLANSELOR



3

LEGENDA	
Numar Sector	3
Cod constructie	C1
ID imobil	15
Limita sector	— (green line)
Limita imobil	— (black line)
Hidrografie	— (blue line)
Limita UAT	— (red line)
Limita intravilan	— (blue line)
Limita tarla	— (cyan line)
Numar tarla	101
Numar postal	37B
Limita constructie	— (black line)

Executant: SC.TOTAL BUSINESS.LAND
Data: 13.09.2022